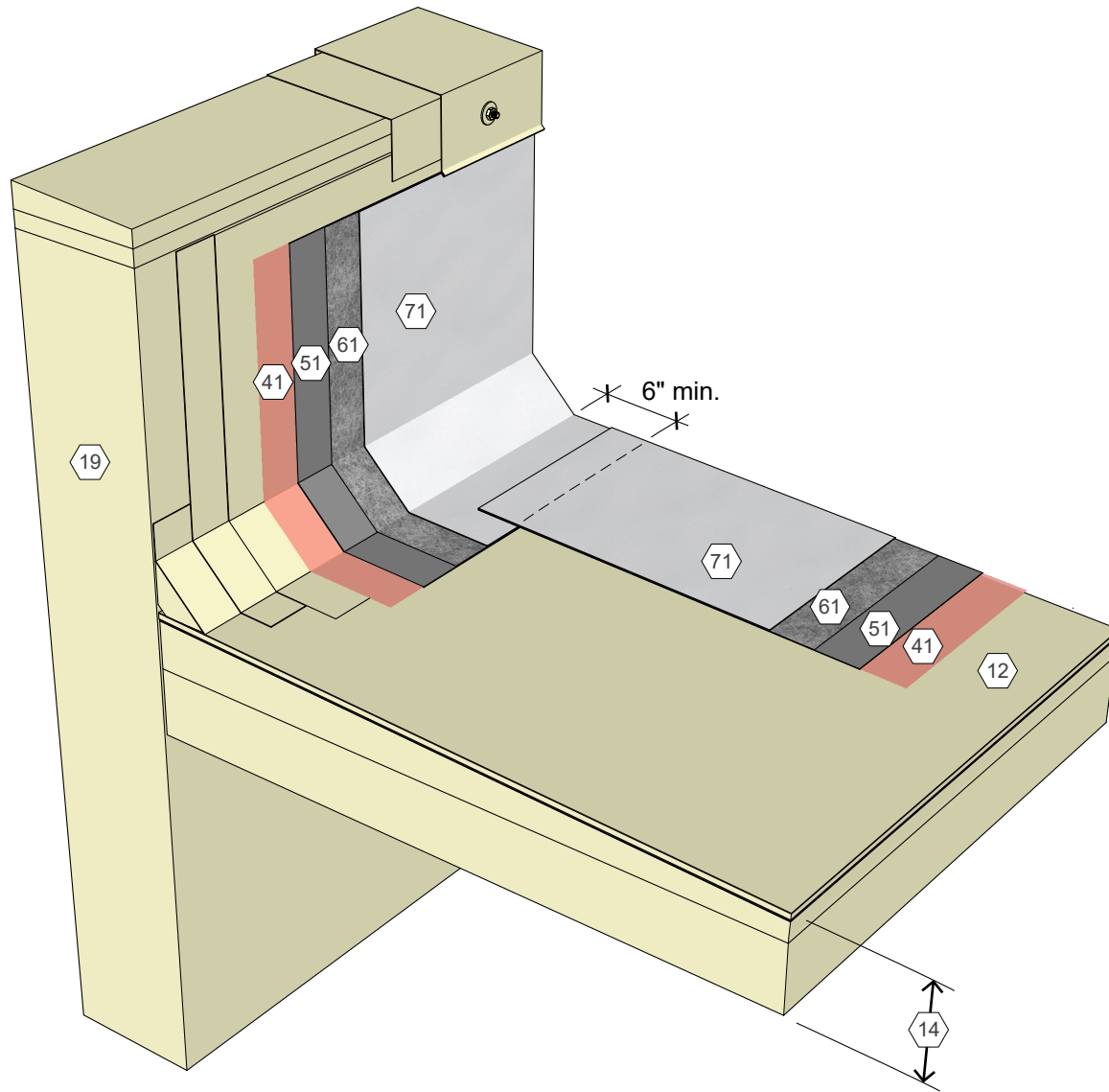


KEY NOTES

- 11 Existing Single-Ply Membrane
- 14 Existing Structural Deck and Insulation Assembly
- 19 Existing Wall Assembly
- 41 Approved Primer
- 52 AlphaGuard BIO Base Coat
- 61 AlphaGuard Glass Mat or Permafab
- 72 AlphaGuard BIO Top Coat

AlphaGuard® BIO Restoration Detail, Single-Ply, Coping Cap
 Detail 13011



KEY NOTES

- ⑫ Existing MB or Smooth BUR
- ⑭ Existing Structural Deck and Insulation Assembly
- ⑰ Existing Wall Assembly
- ④① Approved Primer
- ⑤② AlphaGuard BIO Base Coat
- ⑥① AlphaGuard Glass Mat or Permafab
- ⑦② AlphaGuard BIO Top Coat

AlphaGuard® BIO Restoration Detail, MB or Smooth BUR, Coping Cap
 Detail 13012